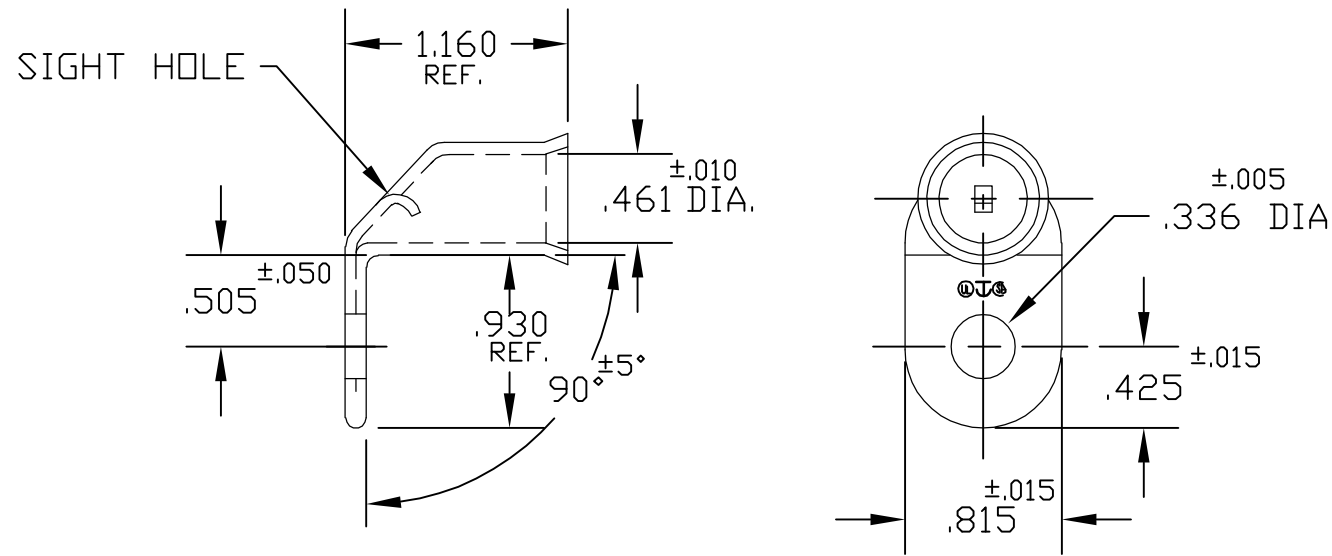


THIS DRAWING IS UNPUBLISHED. RELEASED FOR PUBLICATION
 © COPYRIGHT - BY TYCO ELECTRONICS CORPORATION. ALL RIGHTS RESERVED.

LOC	DIST	REVISIONS					
		P	LTR	DESCRIPTION	DATE	DWN	APVD
G	50		C	REV PER ECR 06-011219	10MAY06	JR	MS



ACTIVE	20561-11-90	STANDARD	TIN PLATE	1526751-2
ACTIVE	20561-10-90	STANDARD	PLAIN	1526751-1
STATUS	AET P/N	PACKAGING	FINISH	PART NUMBER

THIS DRAWING IS A CONTROLLED DOCUMENT.		DWN D.A.A 10/9/00	Tyco Electronics Corporation Harrisburg, PA 17105-3608		
DIMENSIONS: INCHES		CHK H.D.F 10/9/00			
		APVD H.D.F 10/9/00	NAME DD W/SIGHT HOLE & 90° BEND		
TOLERANCES UNLESS OTHERWISE SPECIFIED:		PRODUCT SPEC	RESTRICTED TO		
0 PLC ± - 1 PLC ± - 2 PLC ± - 3 PLC ± - 4 PLC ± - ANGLES ± -		APPLICATION SPEC	SIZE	CAGE CODE	DRAWING NO
MATERIAL COPPER ASTM B-152		FINISH	A3 00779		C-1526751
		WEIGHT	CUSTOMER DRAWING		SCALE 1:1
			SHEET 1 OF 1		REV C